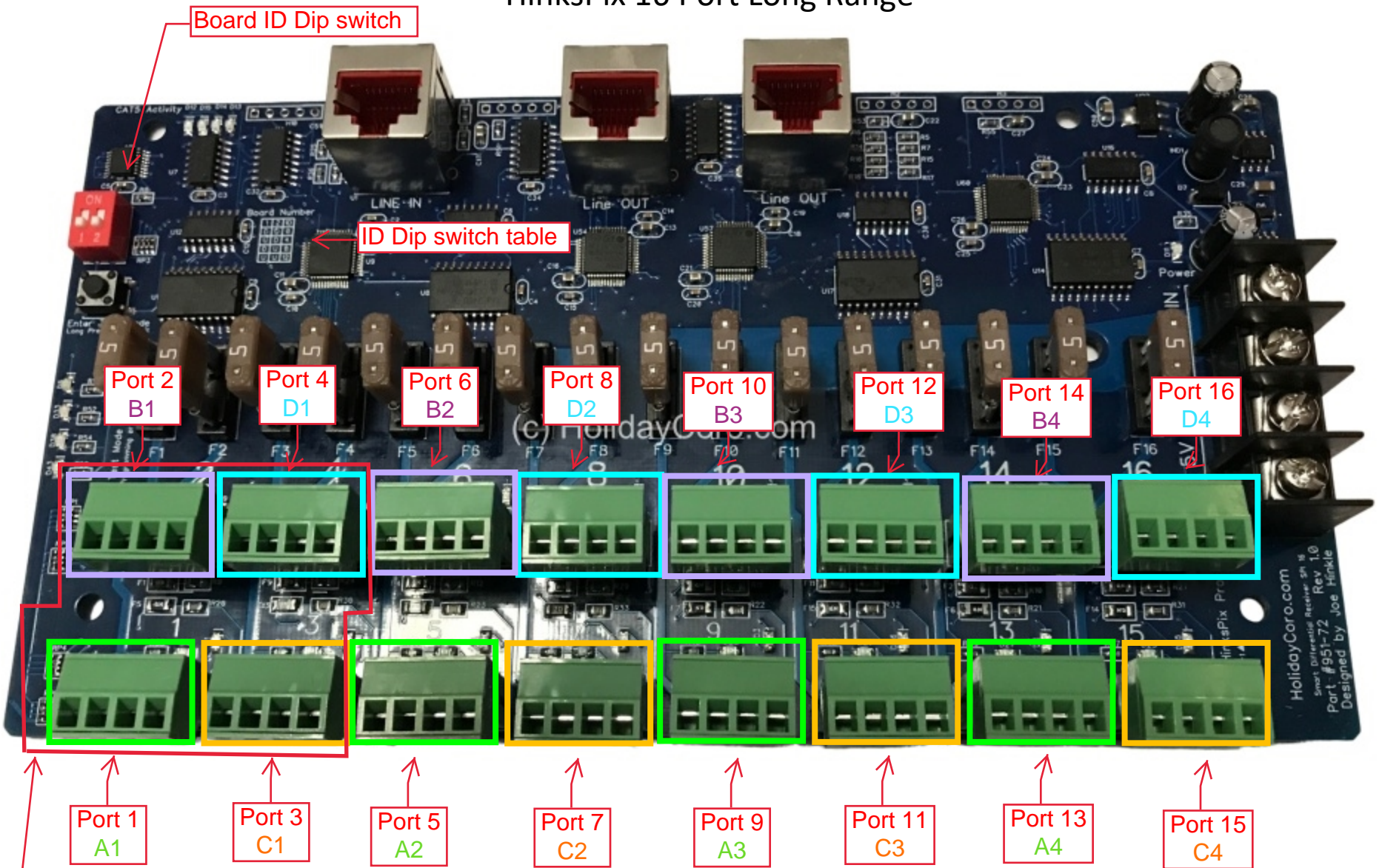


HinksPix 16 Port Long Range



Group of 4 SPI ports that represent a Port in xLights. The 16 Port Long Range contains 4 of these groups.

Red text is port # on physical board
Colored text is Board ID and Port # in xlights, assuming starting on Port 1 of the HinksPix and setting the Board ID dip switches to 0